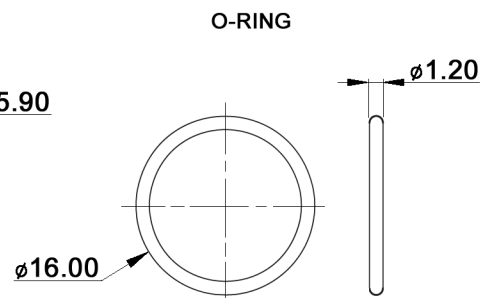
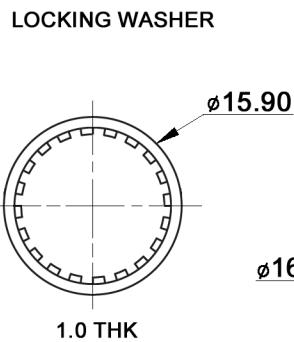
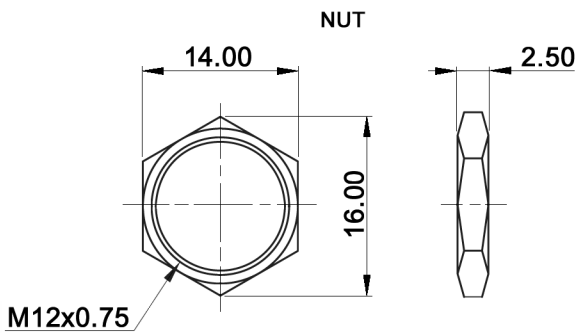
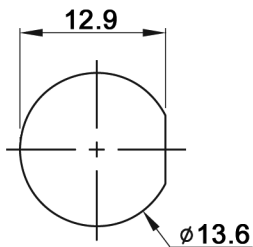


FLAT ON FLANGE
USED FOR PANEL
ORIENTATION
TO LED(+)

HARDWARE:



PANEL CUT-OUT



SWITCH FUNCTION

Model No.	POS. 1	POS. 2
DPWL 1 CG	OFF	MOM
Term. Conn.	OPEN	SHORT

Compliance: RohS III (2015/863/EU)

Tolerances: 0.00: +0.25mm 0.0: +0.40mm	Date	Name
	01/14	dr
Accessory	10/19	dr
LED	05/17	dr
Modifications	Date	Name

DPWL 1 CG D1A xy

knitter-switch

30 30 05

Page

1/2

Specifications:

Contact rating: max.: 500mA, 48V AC; 200mA, 50V DC; 200mA, 250V AC
Contact resistance: 50mOhm max.
Insulation resistance: 1GOhm min. at 500V DC
Dielectric strength: 1500V AC RMS
Operating temperature: -30°C to +85°C
Mechanical life: 1 000 000 cycles
Electrical life: 500 000 cycles
Operating force: 2N - 5N
Soldering conditions: 350°C max., 5sec.
Total travel: 1.5mm
Panel thickness: 1.5mm min. - 4.0mm max.
Contact bounce: 10ms
Torque: 1.5Nm max. applied to nut
Material: Case: diallyl phthalate (DAP) (UL94V-0)
 Cap: polyamide 6/6
 Bushing: zinc alloy, chromium plated
 Terminal / contacts: gold plated over silver

IP rating: IP 67

X=CAP COLOR	
W	white
K	black
R	red
O	orange
Y	yellow
G	green
B	blue

Y=LED COLOR	
W	white
R	red
Y	yellow
G	green
B	blue

Bi-color: ordering code on request

Lens appearance	Colour	Electro-optical data (at 20mA)				Peak wavelength	Viewing angle
		Vf (V)		Iv (mcd)			
		Typ.	max.	Typ.	min.		
Water clear	super white	2.8	3.3	200.0	100.0	x=0.27 y=0.27	35°
	super red	2.0	2.5	700.0	200.0	645.0	
	yellow	2.1	2.6	100.0	55.0	589.0	
	green	2.2	2.7	130.0	70.0	565.0	
	super blue	3.1	3.6	580.0	250.0	460.0	
	super yellow	2.0	2.6	475.0	210.0	590.0	
	super green	2.0	2.6	210.0	140.0	570.0	
	super yellow	2.1	2.6	200.0	94.0	590.0	
	super blue	3.2	3.6	200.0	94.0	460.0	
	super yellow	2.1	2.6	100.0	63.0	590.0	
	super red	2.0	2.6	90.0	42.0	630.0	
	super red	2.0	2.6	90.0	42.0	630.0	
	super green	2.0	2.6	90.0	42.0	570.0	
	super red	2.0	2.6	90.0	42.0	630.0	
	super blue	3.2	3.6	200.0	94.0	460.0	
super green	2.0	2.6	100.0	42.0	570.0		
super blue	3.2	3.6	200.0	94.0	460.0		

Compliance: RohS III (2015/863/EU)

Tolerances: 0.00: +0.25mm 0.0: +0.40mm		Date	Name	DPWL 1 CG D1A xy
		01/14	dr	
Accessory	10/19	dr	knitter-switch	30 30 05
LED	05/17	dr		
Modifications	Date	Name		2/2